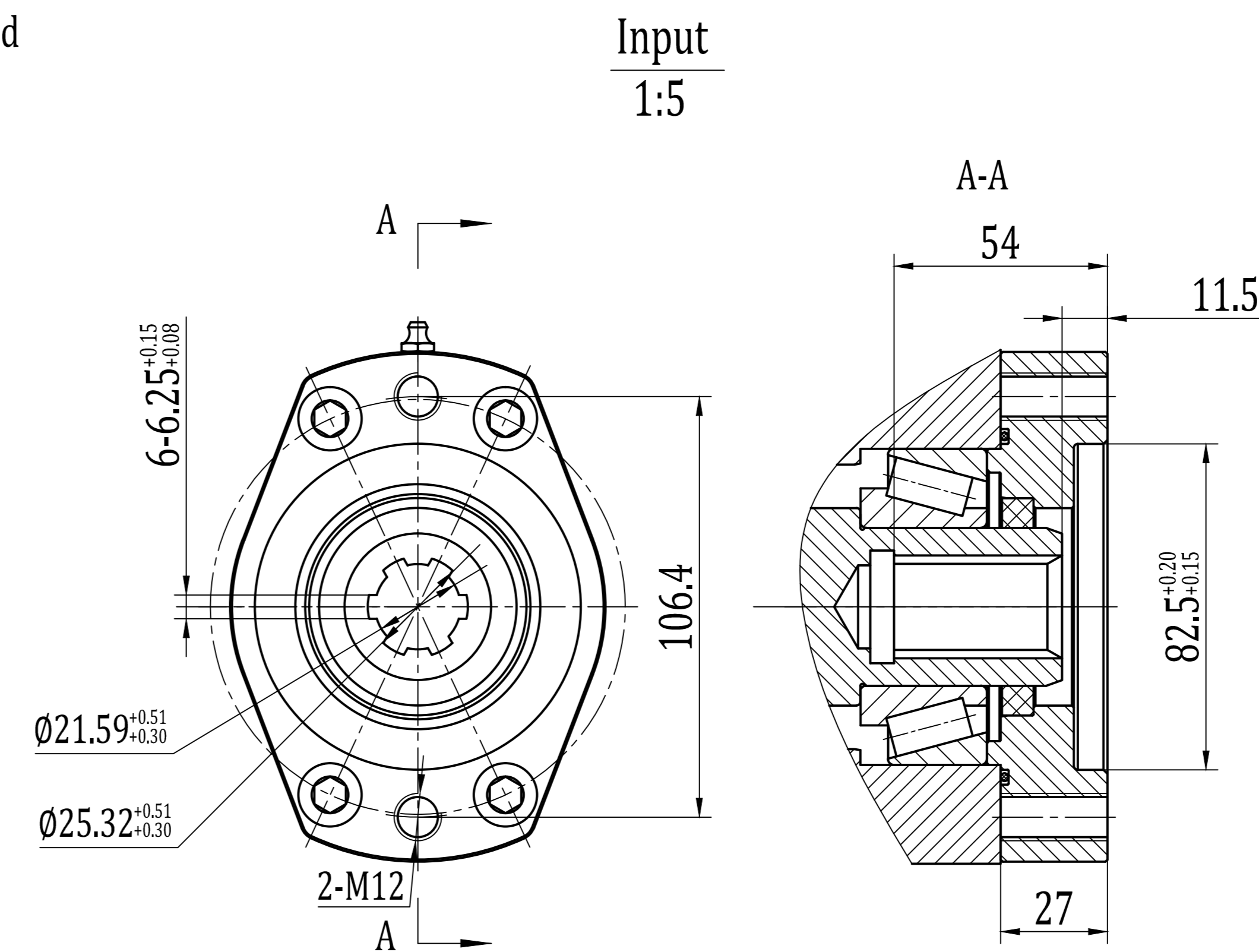
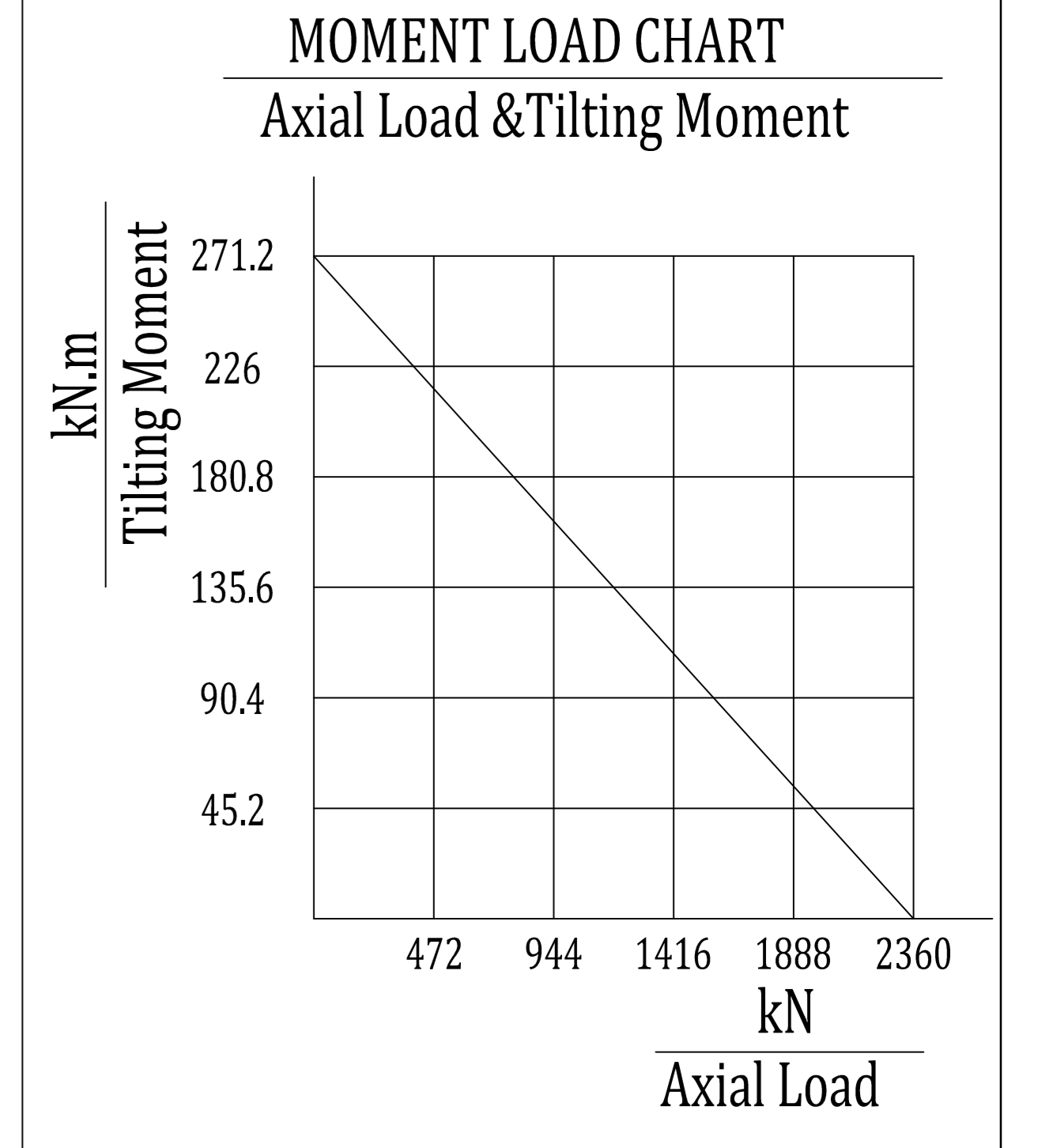


Slewing Drive Performance Parameters		
Rated Output Speed (max)	<2.5rpm	
Output Torque (max)	18kN.m	13276 lbf.ft
Tilting Moment	271 kN.m	200x10 ³ lbf.ft
Holding Torque	158.3 kN.m	117 ³ lbf.ft
Static Axial Load Rating	2369 kN	531x10 ³ lbf
Static Radial Load Rating	945 kN	213x10 ³ lbf
Gear Ratio	150:1	
Precision	≤0.17°	



REV	DATE	REVISER	REVISER
DESIGNED BY	2019/8/1	Li Ming	
CHECKED BY	2019/8/1	Rui Wang	
APPROVED BY	2019/8/1	Shane Zhang	

www.coresundrive.com
Coresun Drive Equipment Changzhou Co., Ltd.

WEIGHT	SCALE	Slewing Drive	
98 kg	1:4		
SIZE	A3		
SHEET	1/1		

SC25-150-BRH		REV
		A

ALL PROPRIETARY RIGHTS IN THE SUBJECT MATTER HERE OF ARE RESERVED, AND NO PERMISSION IS GRANTED OR TO DISCLOSE REPRODUCE THIS PRINT IN WHOLE OR IN PART, ANY OF THE INFORMATION TO OTHERS.