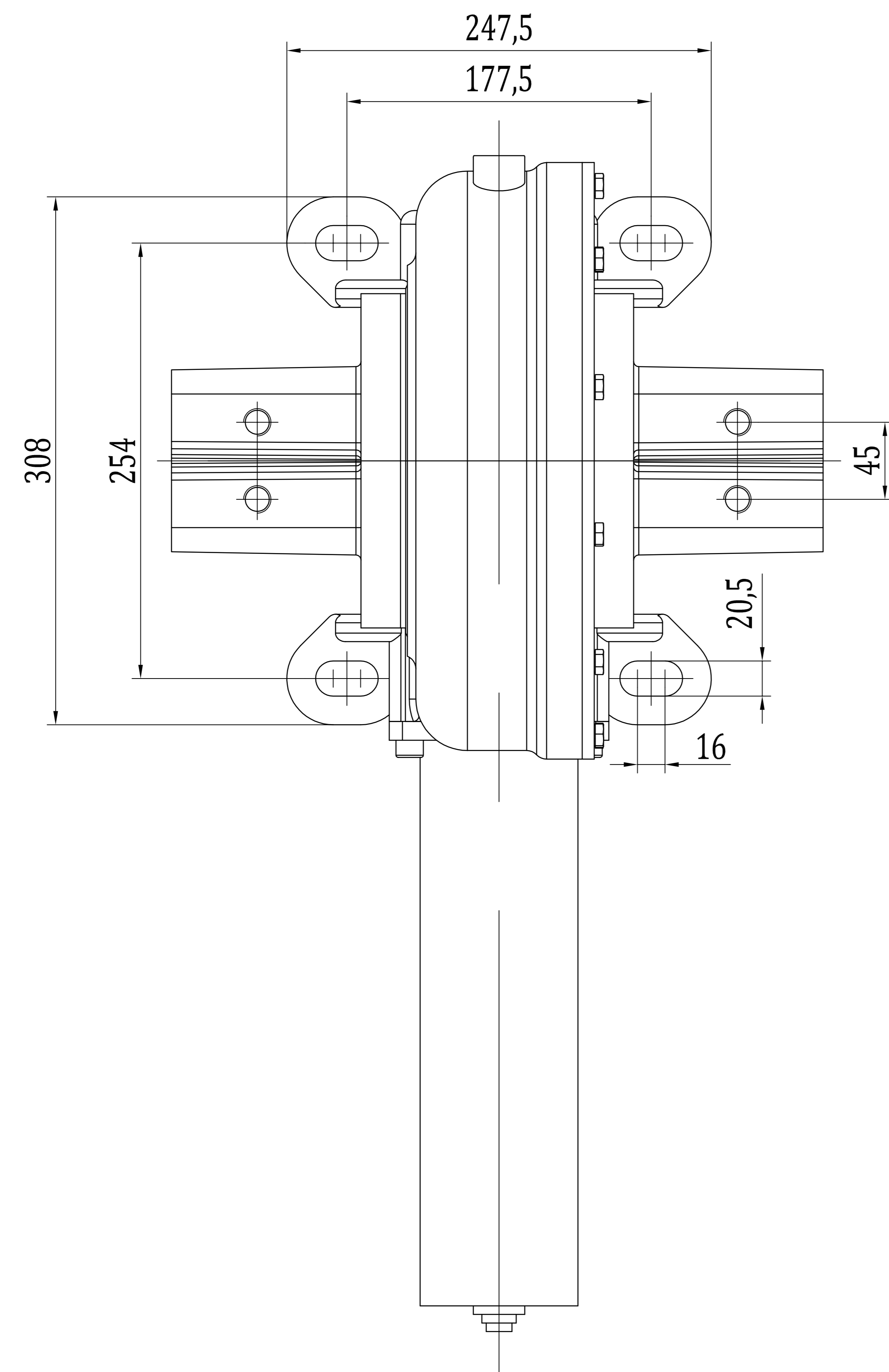
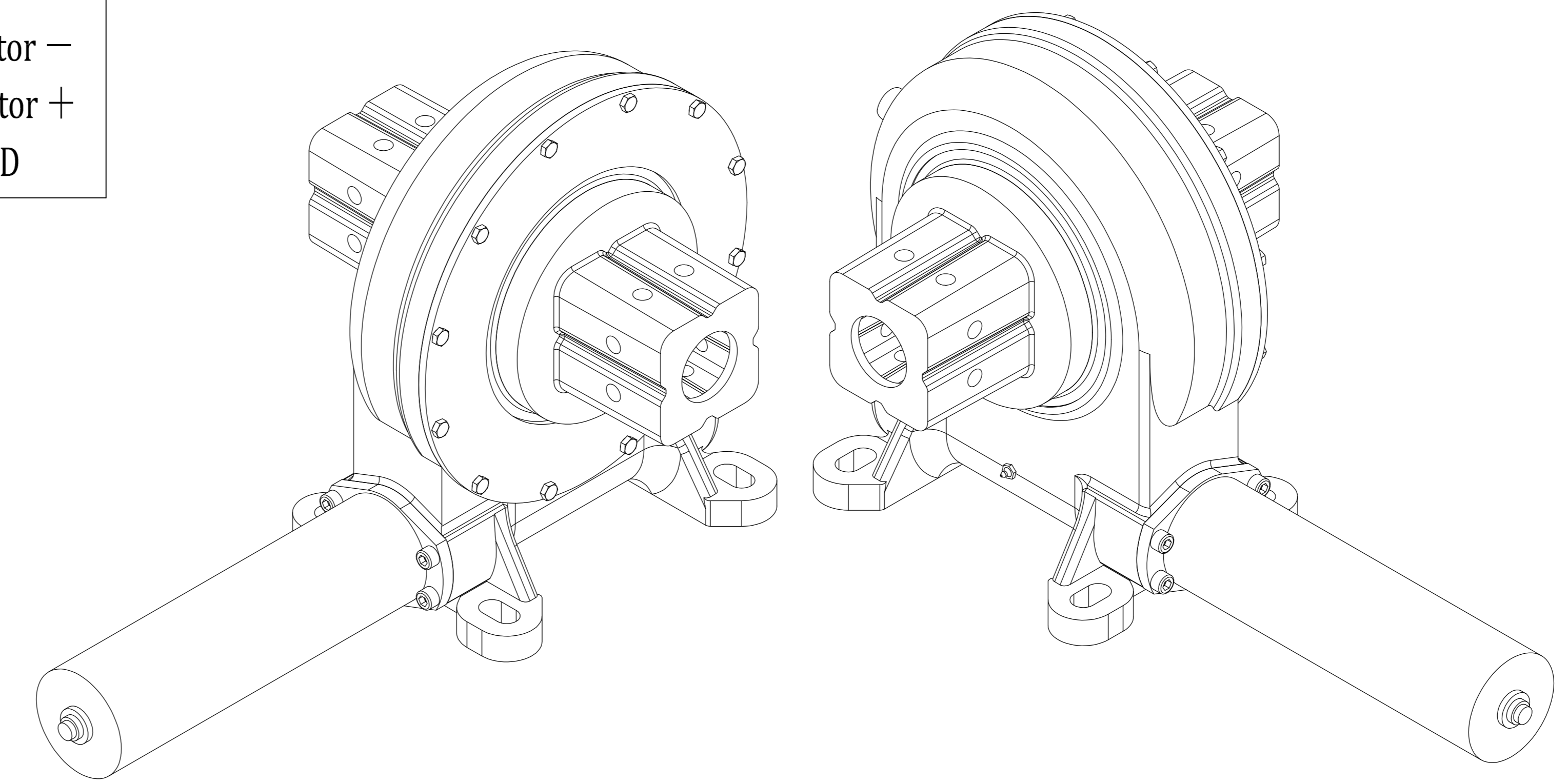
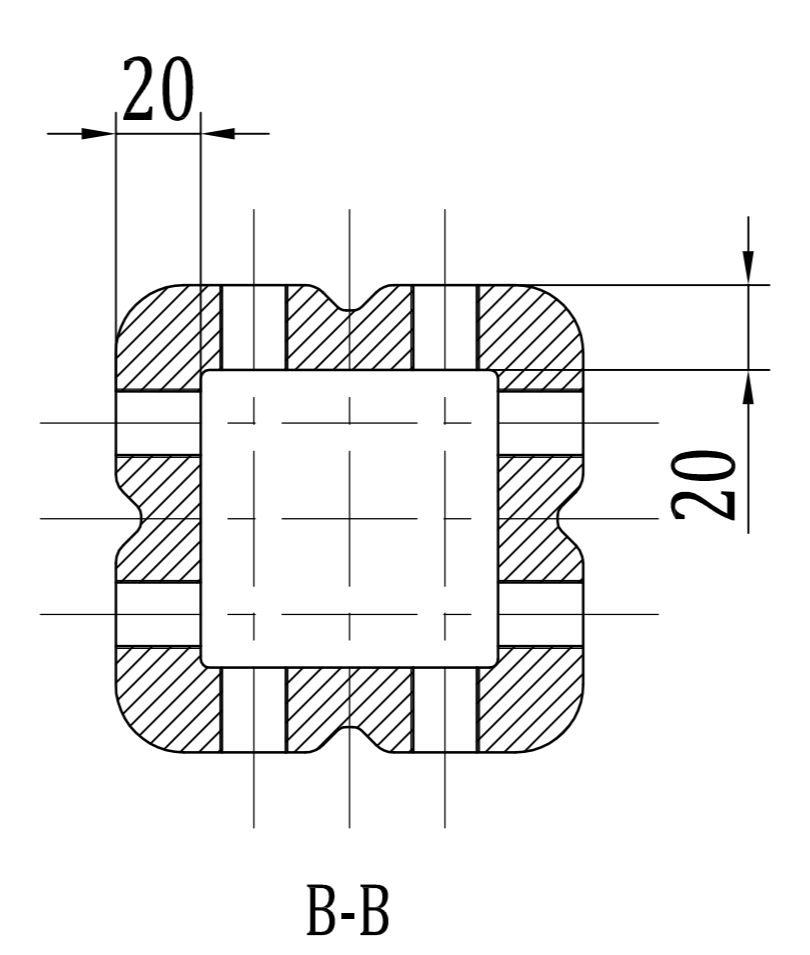



Slewing Drive Performance Parameters	
Rated Output Speed	0,025 rpm
Rated Output Torque	6405 N.m
Tilting Moment	12 kN.m
Holding Torque	58 kN.m
Static Axial Rating	338 kN
Static Radial Rating	120 kN
Dynamic Axial Rating	81 kN
Dynamic Axial Rating	61 kN
Corrison Protection	C3
Temperature	-30°C~+70°C
Gear Ratio	61 : 1
Hard Limit	±60°
Precision	≤ 0.2°
24VDC Planetary Reducer Motor Performance Data	
Rated Output Torque	300 N.m
Rated Output Speed	1.5 rpm
Rated Current	≤6.5 A
IP Class	IP 65



Wire Define  
 Pin 1 (black) motor -  
 Pin 2 (red) motor +  
 Pin E (green) GND



REV	DATE	REVISER	REVISER			
DESIGNED BY	2019/7/28	Li Ming	 <a href="http://www.coresundrive.com">www.coresundrive.com</a> Coresun Drive Equipment Changzhou Co.,Ltd.	<h2>Slewing Drive</h2>		
CHECKED BY	2019/7/28	Rui Wang				
APPROVED BY	2019/7/28	Shane Zhang				
<small>ALL PROPRIETARY RIGHTS IN THE SUBJECT MATTER HERE OF ARE RESERVED, AND NO PERMISSION IS GRANTED OR TO DISCLOSE REPRODUCE THIS PRINT IN WHOLE OR IN PART, ANY OF THE INFORMATION TO OTHERS.</small>			WEIGHT	SCALE	VH9-61S110-RC-2415300-A066	REV A
			SIZE	A3		
SYMBOL ISO			SHEET	1 / 1		